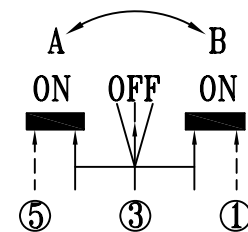
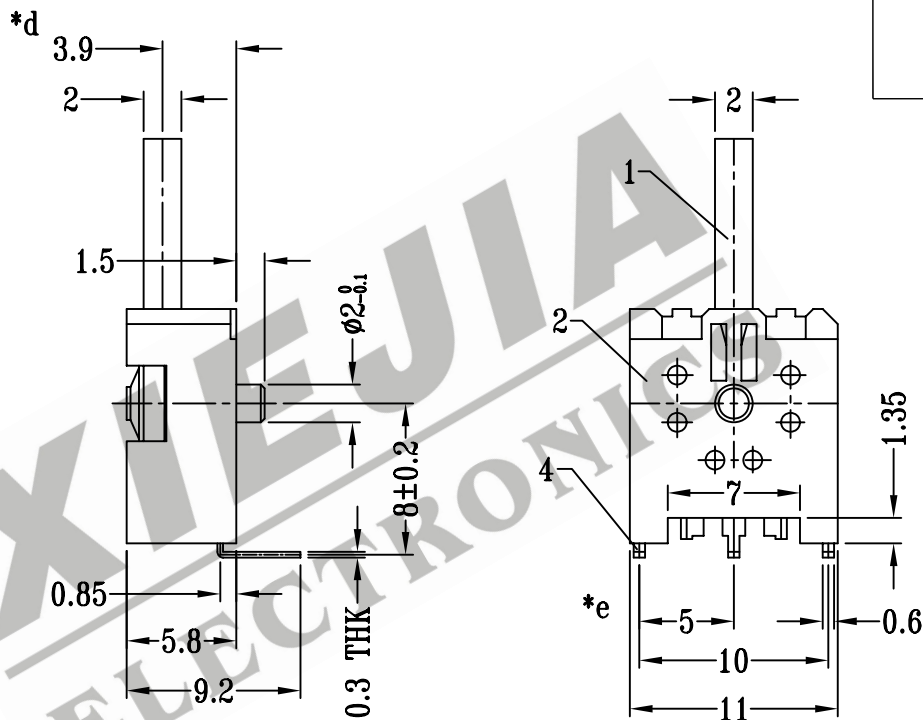
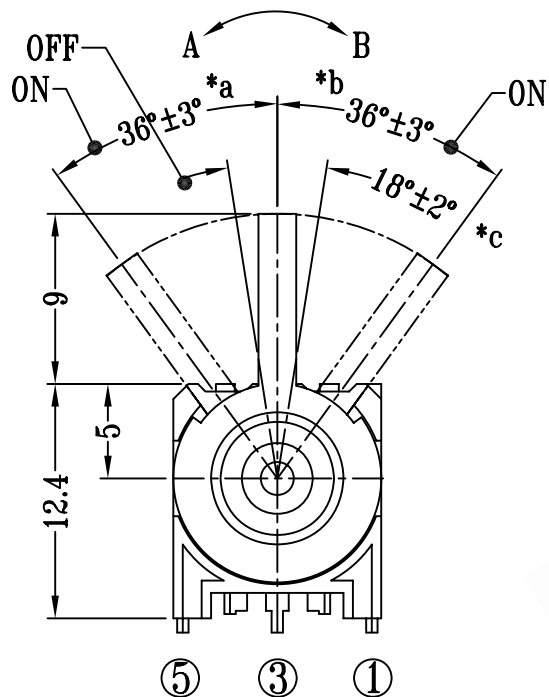
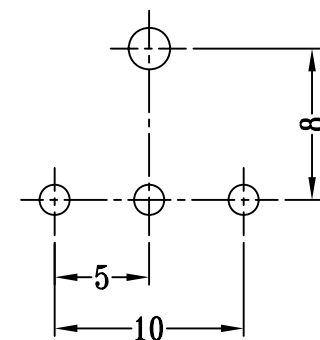


CAD FILE:



SCHMATIC



P.C.B LAYOUT

注：“*”表示关键尺寸（5个）

NO.	PARTS	MATERIALS	Q'TY	FINISH	TOLERANCE UNLESS SPECIFIED	SHENZHEN XIEJIA ELECTRONICS CO.,LTD.					
8						TITLE : CD ROM SWITCH MODEL: CDR-3308					
7											
6	SPRING	SUS304	1	NATURAL	WITHIN: 1.5±0.1mm OVER : 1.5±0.2mm	ISSUE	DATE	DESCRIPTIONS OF REVISION		APPD.	
5	CONTACT	PBS	1	Ag CLAD				DRWG NO.: XJ-DR-CDR3308-00			
4	TERMINAL	BRASS STRIP	3	Ag PLATED OVER Ni PLATED				UNIT : mm	SCALE: 5:2		
3	WASHER	SUS301-3/4H	1	WASHING				DWN.	ZHOUYU	2003-6-15	
2	CASE	PBT+94V0+30%GLASS(3316)	1	BLACK				CHK'D	FANGYING	2003-6-15	
1	LEVER	POM	1	WHITE				APPD.	KANGXINAN	2003-6-15	
					ALL MATERIALS MUST BE COMPLIANT TO ROHS						